

FIELD TRANSMITTER

FOR EXPLOSIVE & TOXIC GASES, OXYGEN.



WP 98

EXPO 98 FTD

ENDEE Field proven gas Transmitters continuously monitors for dangerous concentrations of gases. The linearize 4-20 mA transmission can interface directly with any receiving instrument starting from indicators, controllers to large control systems.

The standard system consist of a compact electronic module housed in a Weatherproof or

explosion proof Metallic or Polyester box with an application specific sensor.

This state of the art transmitter is carefully designed with and manufactured with Industrial

grade Components for reliability accuracy and long life.

It is certified for use in hazardous areas Class 1, Division 1, Group B, C & D. (IIA, IIB or IIC) apart from being available in weatherproof Enclosure

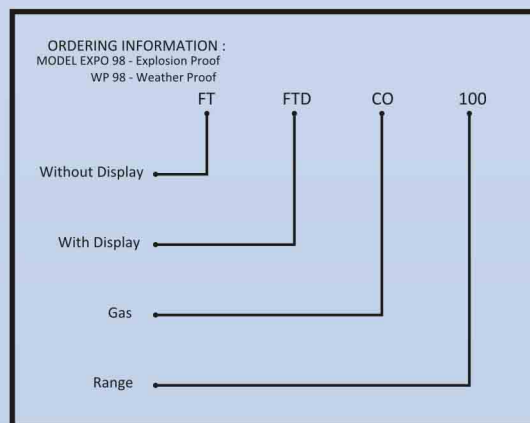
Transmitters are equipped with micro controller and are heavily featured with self diagnostics, Auto calibration (in case of toxic, O₂, combustible gases only) through embedded Software, can be done at site. RS 232/485 output with baud rates of 2400 bps is available as an option

SPECIFICATIONS

Gases	Oxygen		Hydrocarbon, Hydrogen					
	%	LEL	PPM					%
Range	0-25/100	0-100%	0-1000					0-100
Detection Principle	Electrochemical	Catalytic Combustion	Semiconductor Electrochemical					Thermal Conductivity

Gases	H ₂ S	CO	SO ₂	NO	Cl ₂ , Br ₂ , F ₂	HCL	HCN	NO	NH	CO
Range	PPM	PPM	PPM	PPM	PPM	PPM	PPM	PPM	PPM	PPM
Max	1000	4000/10%	2000	5000	2000	200	200	1000	1000	100%
Min	5	20	3	10	3	5	10	3	10	0.3

Detection Principle	Application Based Electrochemical , Semiconductor or PID
Response Time	< 5 seconds
Zero drift	0.2% Fs
Accuracy	2% Fs
Operating Voltage	22-30 Volt DC
Operating Temperature	0-50 C
Terminations	PCB mounted terminal blocks to accept 1.5mm wires
Display	Inbuilt 0.5" LCD
Output	4 - 20 mA Linear/0 - 1Volts DC (V)/RS232/RS485 2wire (Electrochemical sensor based, Dew point, Humidity, Temp, Moisture, Vapour Pressure) 3Wire (Cumbustible, Toxic Gas)
Power Consumption	2 wire: 0.5 W max. / 3 wire: 3.6 W max.
Max. Load	600 Ohms
Mounting	2" Pipe (U clamps will be provided)



The Minimum & Maximum ranges & the Gases Indicated are Intended as a Guide for full scale detection.

Note : Specifications and Features will vary with application. The above are established and validated during design, but are not to be construed as test criteria for every product. Due to endee's commitment to research, design and product improvement, specifications are subject to change without notice.



ENDEE ENGINEERS PVT. LTD.

Office : 25/N, Laxmi Industrial Estate, Link Road, Andheri (W), Mumbai - 400 053.

Tel. : 6692 3081 / 82 | Fax : 2637 5973

Email : sales@endee-engineers.com | info@endee-engineers.com

Website : www.endee-engineers.com